

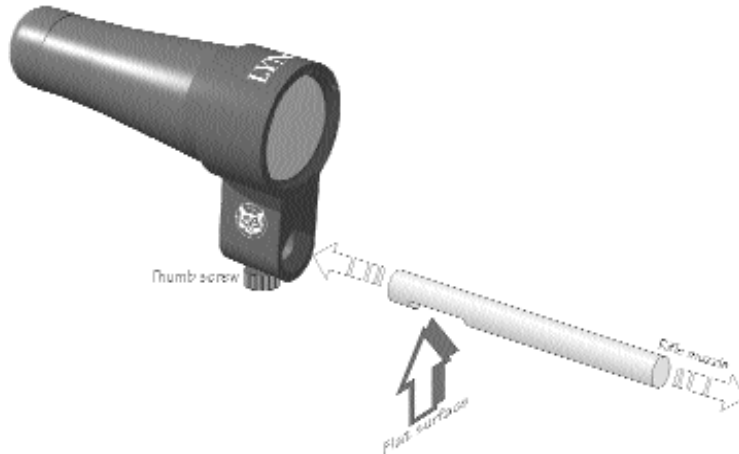


Lynx Optics (Pty) Ltd

PO Box 98078, Sloane Park, 2152, South Africa
 Lynx House, Ruco Close, Ostrich Road, Bromhof
 Phone: (011)792-6644, Fax: (011)792-8923
 International Phone: +27-11-792-6644 Fax: +27-11-792-8923
 email: info@lynx.co.za web address: <http://www.lynx.co.za>

Registration No: B2106370107

Instructions for RDC-1 compact red-dot scope



Specifications

Parallax	Approx. 100m	Grid size	20x20 blocks	Length	122mm
Lens diameter	38mm	Grid block size	4moa	Weight	165g

Lynx Bore-sighter #2

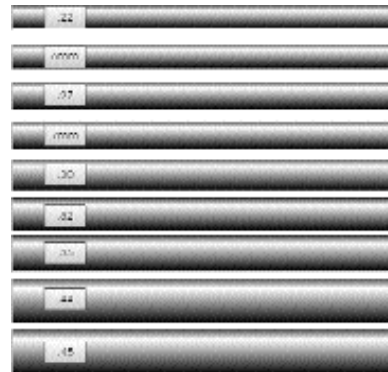
The Lynx Bore-Sighter saves ammunition by assisting in zeroing newly mounted riflescopes and checking the zero of already mounted riflescopes.

Instructions for use.

- With the flat surface facing toward the Bore-Sighter thumb screw, insert the appropriate calibre arbor into the opening in the base of the in the Lynx Bore-Sighter. Hand-tighten the thumb screw onto the flat surface of the arbor.
- Insert the spring end of the arbor into the muzzle of the rifle until the attached Bore-Sighter base contacts the rifle crown. To ensure accuracy it must stay in contact throughout the alignment procedure.
- Look through the riflescope into the Bore-Sighter and align the grid in the Bore-Sighter to be square with the scope graticule.
- Use the scope's windage and elevation controls to superimpose the crosshair on the bold central crosshair of the Bore-sighter grid. This should place your first shot within a 240mm radius of the bulls-eye of a target at 100 metres.

Please note:

- ▶ Each grid block of the boresighter measures 4 minutes of arc, which is approximately 120mm at 100 metres or 4 inches at 100 yards. The boresighter standard of accuracy is two grid blocks i.e. 240mm at 100 metres
- ▶ Avoid over-adjusting the riflescope - as a general rule, the aimpoint of a factory centred graticule (as found in a new riflescope) that is more than about six to eight blocks from the boresighter grid centre could indicate misaligned mounting screw-holes in the action, an out-of-spec action, a skew barrel or incorrect mounts and could result in damage to your riflescope.
- ▶ If a riflescope that has been previously mounted is being zeroed, please consult your riflescope instruction manual on how to re-centre your graticule before remounting.



Fixed diameter arbors.

.22, 6mm, .27, 7mm, .30, .32, .35, .44, .45.

Adjustable arbors.

AA1 - fits calibres .22 to .30
 AA2 - fits calibre .30-.375
 AA3 - fits calibres .375-.45

